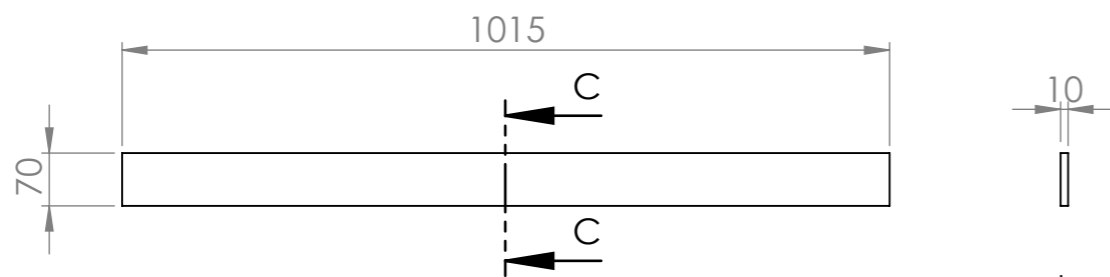
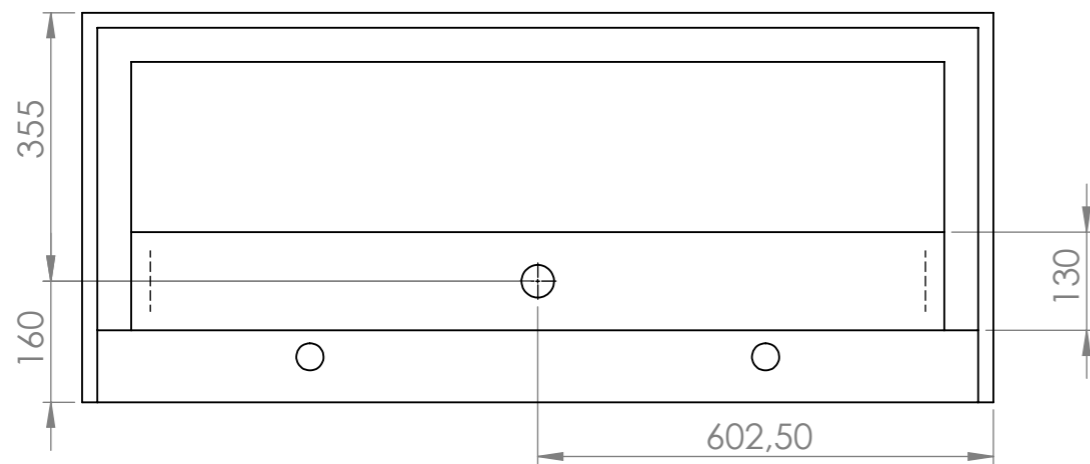
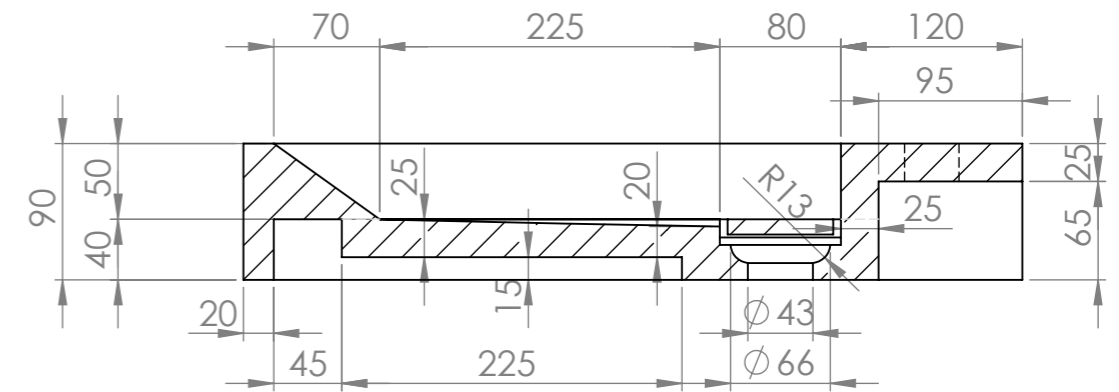
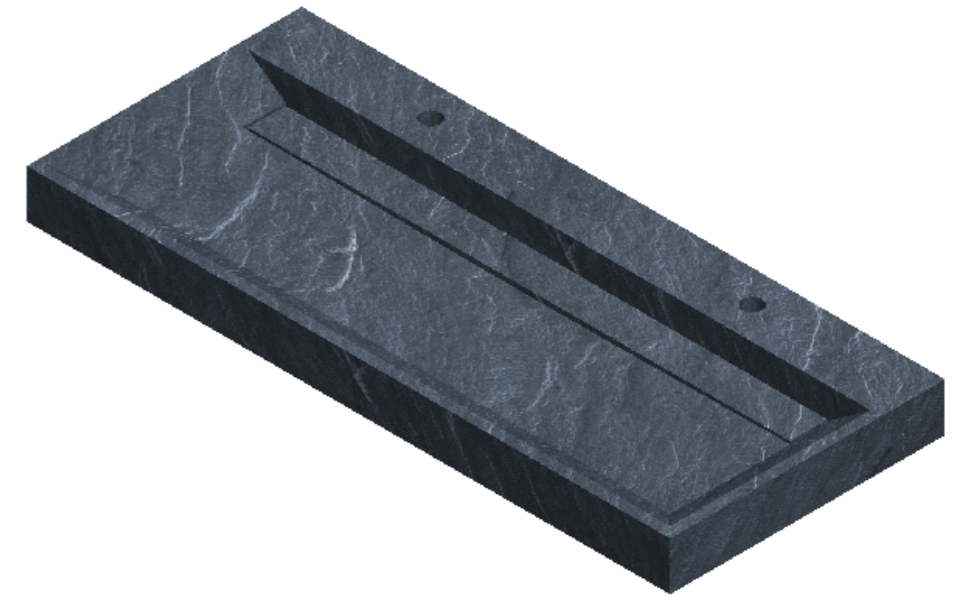


SECTION B-B



SECTION C-C



SECTION A-A
SCALE 1 : 5

UNLESS OTHERWISE SPECIFIED: DIMENSIONS ARE IN MILLIMETERS SURFACE FINISH: TOLERANCES: LINEAR: ANGULAR:	FINISH:	DEBUR AND BREAK SHARP EDGES	DO NOT SCALE DRAWING	REVISION
	NAME		TITLE: Bellezza	
DRAWN	E. Anninga			
APPV'D	R. Straten			
MFG				
Q.A		MATERIAL:	DWG NO.	A3
		WEIGHT: (2.9 p)	SCALE: 1: 8	SHEET 1 OF 1