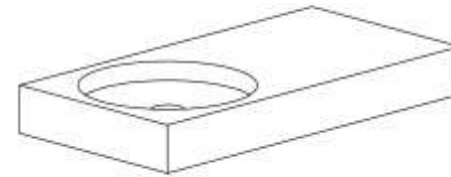
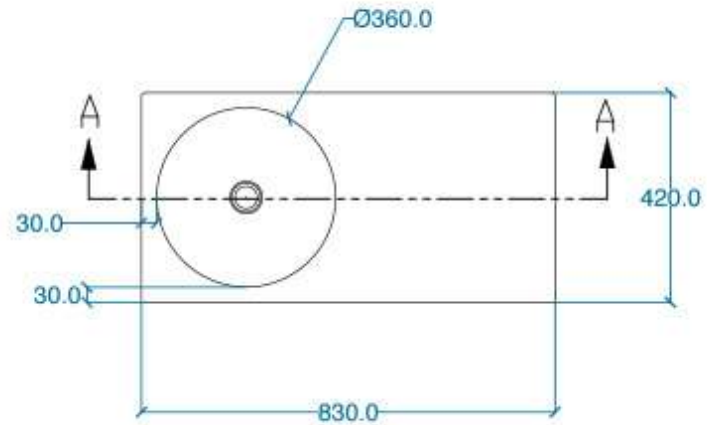
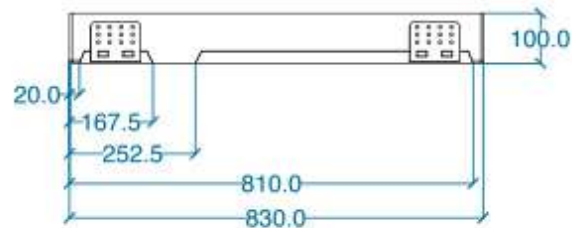


Cero A1

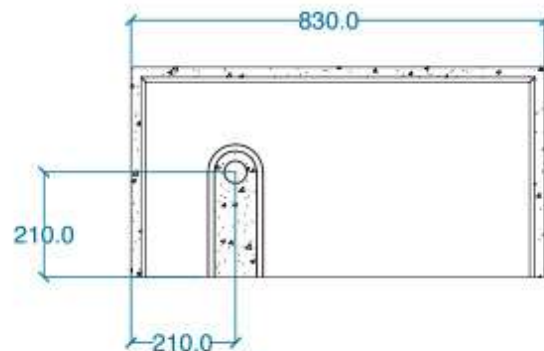
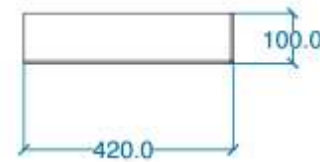
Plan View



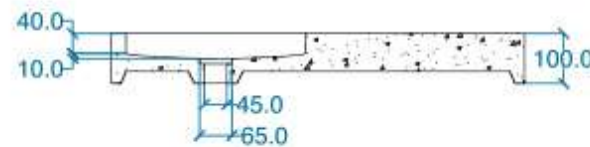
Back View



Side View



SECTION A-A



General notes

Kast work to tolerances of +/-5mm, joints 3-5mm, vertical deflection 3mm per linear meter. It is the responsibility of the recipient (client) to check all dimensions are correct and confirm prior to manufacture. Kast will manufacture from only from these drawings on receipt of client confirmation and takes no responsibility for incorrect dimensions and measurements not reported. This drawing is to be viewed in conjunction with all other contract documentation and specifications and all other consultants drawings. All dimensions should be checked and any discrepancies notified to Kast prior to proceeding with works any discrepancies found between this drawing and other documents should be referred immediately to Kast. The author takes no responsibility for any dimensions obtained by scaling from this drawing.

C.A1

- Available in 28 colours
- Wall mounted taps
- Available with brackets
- Can be supplied with taps, traps and wastes

TBC*

Tap specification to be confirmed by client before manufacture.

Basin Description
L830 x W420 x H100mm
30mm walls

Drawn by RD	Scale NA	Basin Code C.A1
----------------	-------------	--------------------

Kast
concrete basins

Kast Concrete Basins Ltd
Meden Court
Boughton Industrial Est
Nottingham NG22 9YU

Tel: 056 0384 0595
Email: Info@kastconcretebasins.com
Web: www.kastconcretebasin.com