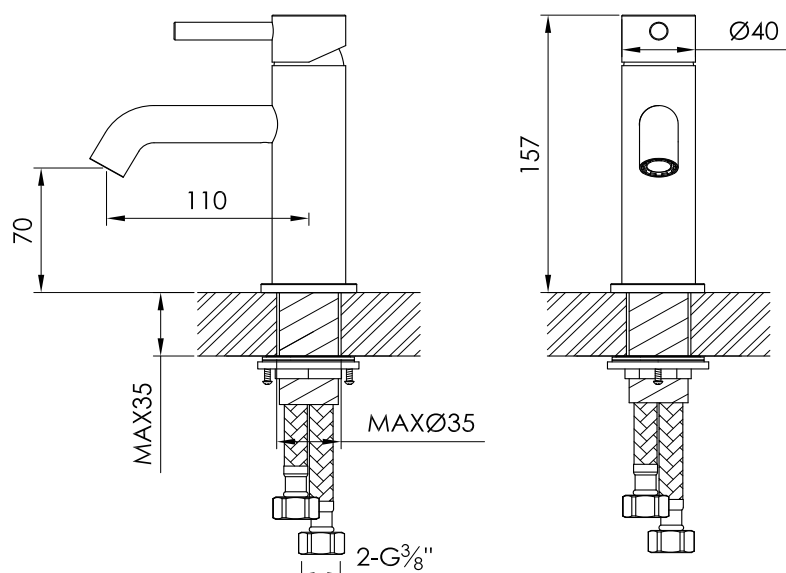




JEE-O slimline basin mixer low specifications



Note:
UV radiation and extreme temperature
can affect the color and structure of the
surface of the structured black version.

Article code:	800-1700 ● brushed stainless steel	Connection:	2 x G 3/8" (ø10mm / 0.4") nylon ^(out) /epdm ⁽ⁱⁿ⁾ flexhose with brass swivel
	800-1703 ● structured black stainless steel	Thread:	British Standard Pipe (BSP)
Material:	Stainless Steel r304	Dimension package:	L 31 x W 22.5 x H 8 cm
Cartridge:	Sedal ceramic mixing mechanism (35mm), item code 005-0101	Total weight:	1.37 kg
Cleaning:	JEE-O protect	Package weight:	0.29 kg
		2 year warranty	
		HS code:	84818011900
		Approvals:	SLS BS EN 817