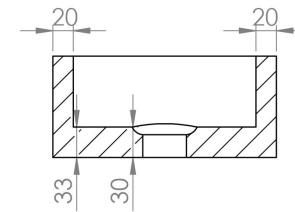
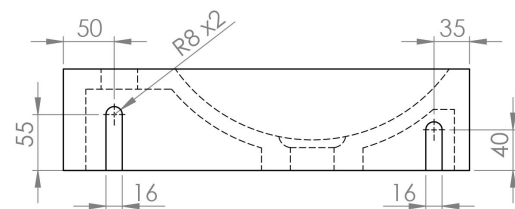
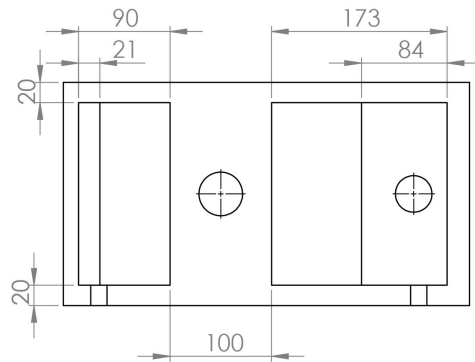


SECTION A-A



SECTION B-B

UNLESS OTHERWISE SPECIFIED: DIMENSIONS ARE IN MILLIMETERS SURFACE FINISH: TOLERANCES: LINEAR: ANGULAR:	FINISH:	DEBUR AND BREAK SHARP EDGES	DO NOT SCALE DRAWING	REVISION
				TITLE:
	NAME			
DRAWN	E. Anninga			
APPVD	R. Straten			
MFG				
Q.A		MATERIAL:	DWG NO.	A3
			SCALE:1:8	SHEET 1 OF 1