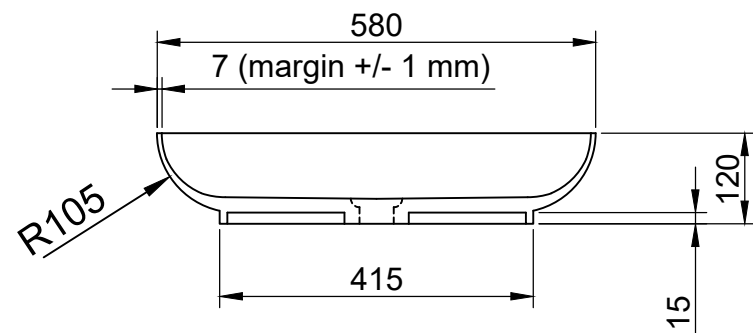
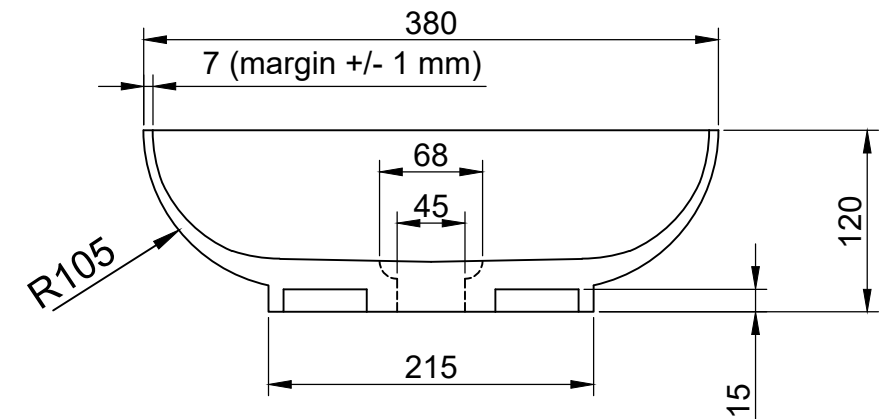


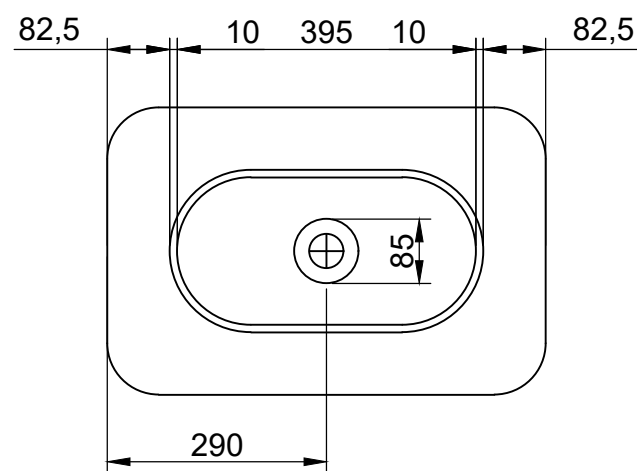
TOP VIEW



SECTION A-A



SECTION B-B
SCALE 1:5



BOTTOM VIEW

UNLESS OTHERWISE SPECIFIED: DIMENSIONS ARE IN MILLIMETERS	FINISH:	DEBUR AND BREAK SHARP EDGES	DO NOT SCALE DRAWING	REVISION
			TITLE: LSJUN5838	
	NAME			
DRAWN				
APPV'D		MATERIAL:	DWG NO.	A3
MFG				
QA				
			SCALE: 1:5 / 1:10	SHEET 1 OF 1