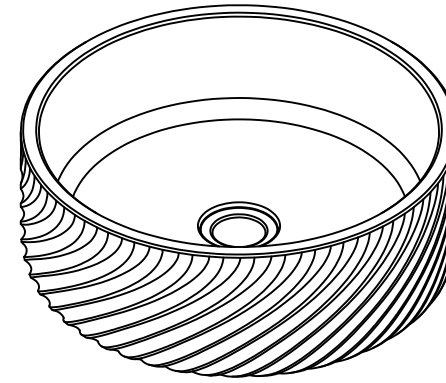
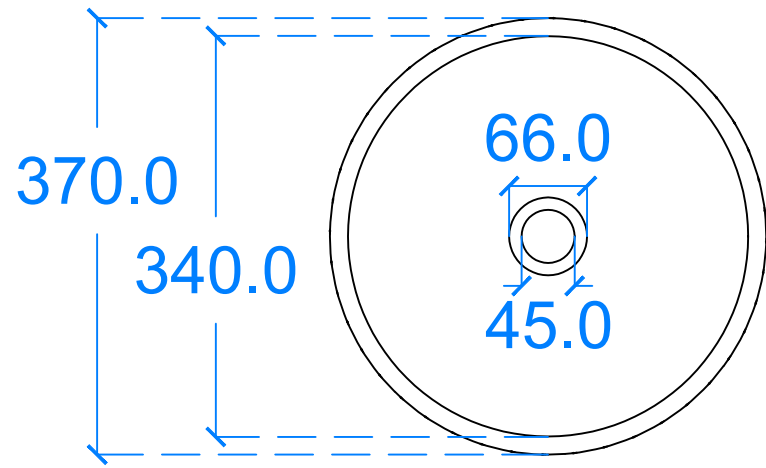
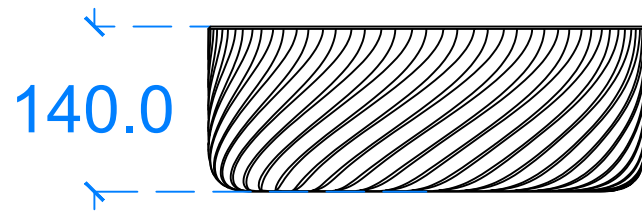


# Mila A1

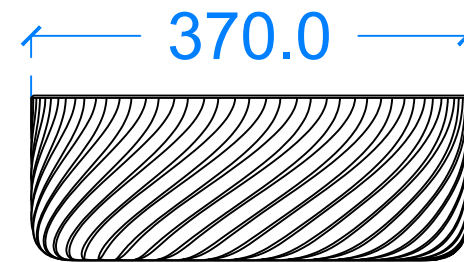
Plan View



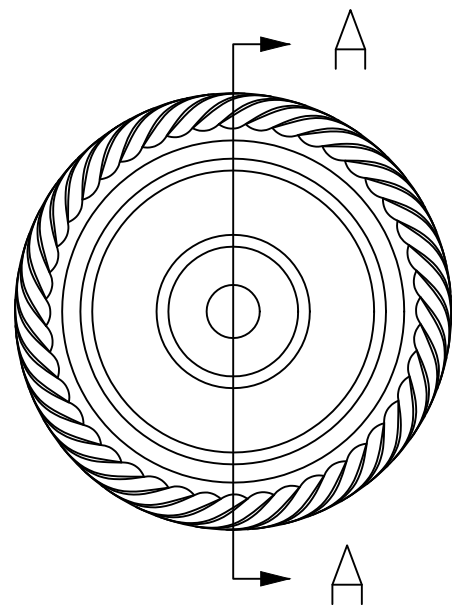
Front View



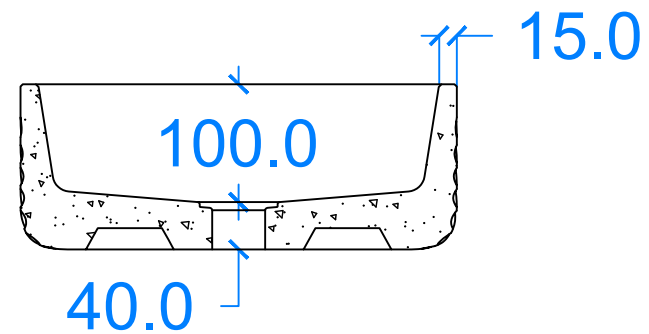
Side View



Underside View



Section A-A



General notes

Kast work to tolerances of +/-3mm. It is the responsibility of the recipient (client) to check all dimensions are correct and confirm prior to manufacture. Kast will only manufacture from these drawings on receipt of client confirmation and take no responsibility for incorrect dimensions and measurements not reported. All dimensions should be checked and any discrepancies notified to Kast prior to proceeding with works. Kast take no responsibility for any dimensions obtained by scaling from this drawing.

Basin Description  
D370mm x H 140mm  
15 mm walls

Weight 16 kg	Scale N/A	Drawn by DB
-----------------	--------------	----------------

Basin Code ML.A1

Unless otherwise stated, dimensions are in mm

# Kast

Kast Concrete Basins Ltd  
2 - 4 Meden Court  
Boughton Industrial Est  
Nottingham NG22 9YU

Tel +44 (0)1623 709249  
Email [info@kastconcretebasins.com](mailto:info@kastconcretebasins.com)  
Web [www.kastconcretebasins.com](http://www.kastconcretebasins.com)