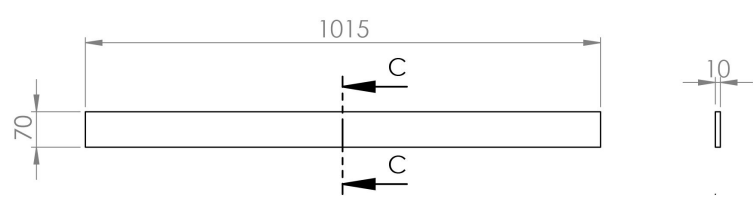
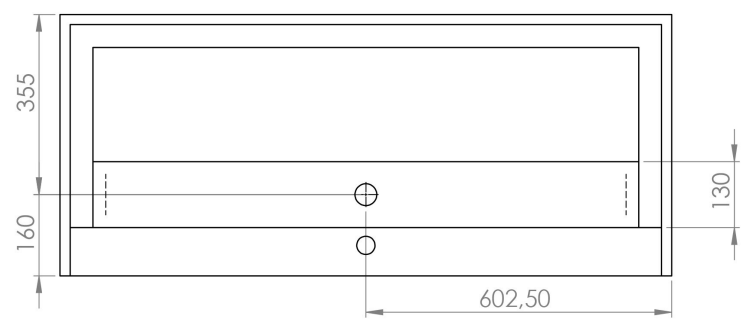
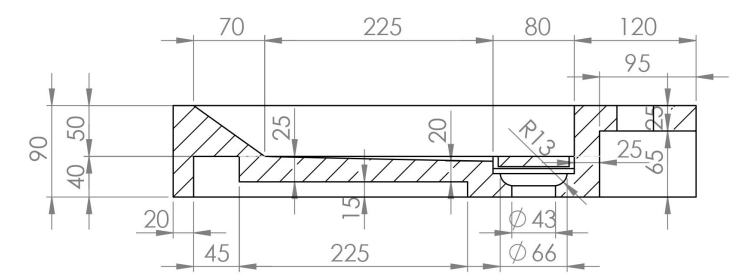
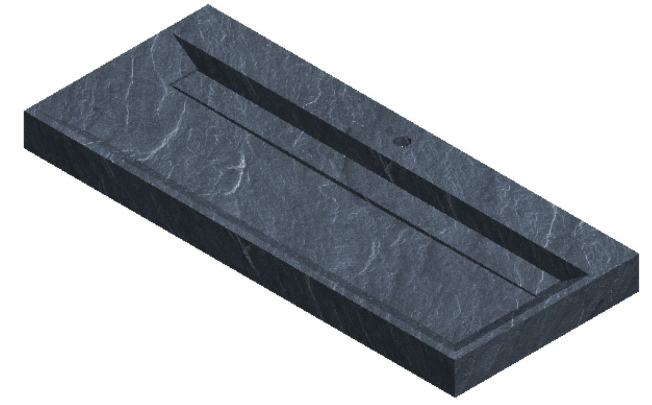


SECTION B-B



SECTION C-C



SECTION A-A
SCALE 1 : 5

UNLESS OTHERWISE SPECIFIED: DIMENSIONS ARE IN MILLIMETERS SURFACE FINISH: TOLERANCES: LINEAR: ANGULAR:	FINISH:	DEBUR AND BREAK SHARP EDGES	DO NOT SCALE DRAWING	REVISION
	TITLE:			
DRAWN	NAME			
APPVD	E. Anninga			
MFG	R. Straten			
Q.A		MATERIAL:	DWG NO.	A3
		WEIGHT: (2,9 ρ)	SCALE: 1: 8	SHEET 1 OF 1